

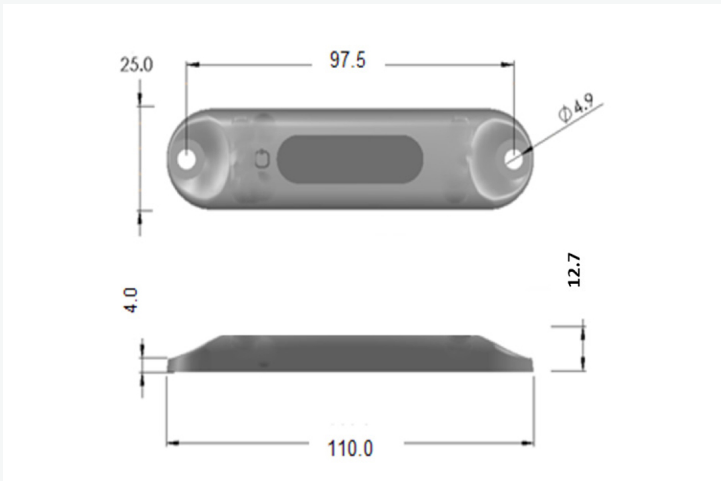
[Products] you can identify with



Physical Specifications

Material	PC ABS blend
Size	110 x 25 x 12.7 mm 4.33 x 0.98 x 0.50 in
Weight (g)	18.27
Attachment	Mechanical (std) or premium foam (option)

Dimensions



Measurements shown in mm

Exo 1000

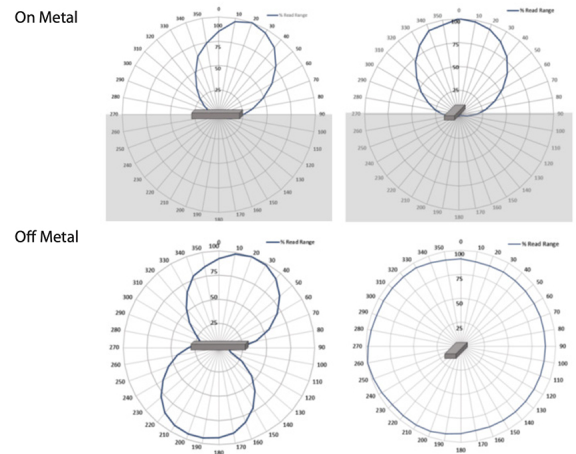
Omni-ID Exo 1000 is a long read range passive UHF RFID tag capable of reading on, off, and near metal surfaces. Designed in a surprisingly small form factor, the Omni-ID Exo 1000 features a slightly less rugged design than the Exo 800, but with the benefit of a long read range of 10 meters and a lower cost. New to the Exo 1000 is a customization option for a transparent tag that provides full protection for printing within the tag case.

RF Specification

Radio Protocol	EPC Class 1 Gen2v2
Frequency Range	860 - 930 (GS)
Read Range - Fixed Reader	Up to 10m (32.8 feet)
Read Range - Handheld Reader	Up to 8m (26.2 feet)
On Metal or Balanced	Optimized for metal
IC Type (Chip)	Impinj Monza 4QT
Memory	EPC - 128 bits User - 512 bits Unique TID - 48 bits

EPC and User memory are reprogrammable. UTID is locked at point of manufacture by IC manufacturer.

Radiation Patterns



[Products] you can identify with



With a high read range, outstanding performance and durable service bureau options, the Omni-ID Exo 1000 is ideally suited to:

- Manufacturing tote tracking
- Automotive & retail supply chain
- Logistics and postal

Environmental Specifications

Operating Temperature	-40°C to +85°C
Survivability	-40°C to +85°C
IP Rating	IP68
Shock & Vibration Tolerance	MIL-STD-810 G
Impact	3kg from 1m

Also available in transparent ABS encasement. This option means the temperature rating changes to -40°C to +65°C.

Ordering Information

Warranty	3 years
Product Options	:303 (Customization) :304 (ATEX/IECEX certified) :307 (US&Canada (C1D1/D2) certified) :332 (Transparent case) :508 (Premium foam) :701 (Standard Service Bureau)
Part Number / Order Codes / Order Numbers	162 - GS

Certifications

CE, RoHS, ATEX/IECEX certified (option), US&Canada (C1D1/D2) certified (option)



For product or technology inquiries email: sales@omni-id.com.

Visit omni-id.com to learn more about the complete line of **Omni-ID RFID** products