

MICRO Industrial



The Xerafy MICRO Industrial passive RFID tag provides the dependability and durability required in manufacturing and production.

The high-temperature UHF RAIN RFID tag is field-proven for harsh environments, where its durability matches the asset's life, thanks to its rugged case and 10m on-metal performance.



Rugged mounting options



10M on-metal



Durable tagging for harsh conditions



IP68



High-temperatures and chemicals



- Work-In-Process
- High-Temp Production
- Automotive Assembly
- RTI Management

[LEARN MORE >](#)

Performance Characteristics

Read range (handheld) <sup>1</sup>	Up to 22 ft (7 m)
Read range (fixed) <sup>1</sup>	Up to 32 ft (10 m)
Polarization	Linear
Mounting system	Screws (Rivet hole, M3) Pop rivets (Max size 3.2mm) Industrial Adhesive (optional)

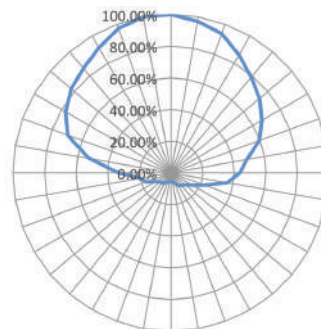
1. Performance based on standard testing methodologies. Performance may vary depending on environmental factors and reader output power.

Functional Specifications

RF protocol	EPC global Class 1 Gen2
Frequency	902-928 (US) ; 865-868 (EU)
IC type (chip) <sup>1</sup>	NXP UCODE 8
Memory <sup>2</sup>	128 bits EPC, 96 bits TID, User memory (optional)
Material	High-performance engineered polymer, 316L Stainless steel

1. The chip data retention is up to 50 years, based on chip operating under general environment conditions.
2. EPC can be re-programmed, password protected, or permanently locked. TID is locked and unique at the point of manufacturing.

Radiation Pattern



### Environmental Specifications

Operational temperature	-40°C to +85°C
Survival temperature	-40°C to +250°C
High temperature cycle	+250°C/500hours
Chemical resistance	Various caustic chemicals <sup>1</sup>
IP rating	IP68
Compression strength	181 psi (1250 kPa)
Shock (drop)	3 ft (1 m) to concrete/granite
Vibration	MIL-STD-810G

1. The chemical resistance is based on the concentration of solutions and application environment. Please contact Xerafy for further details on chemical resistance.

### Industry Compliance

RoHS	EU Directive 2011/65/EU
CE	Yes
ATEX/IECEX	Compliant, Certified (optional)
Warranty	1 year

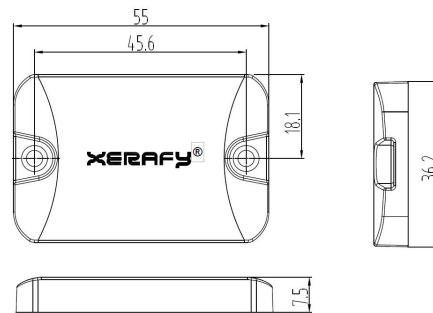
### Order Information

X1130-US100-U8	MICRO Industrial US
X1130-EU100-U8	MICRO Industrial EU
Customization services	Encoding, Printing, Laser Marking, Industrial Adhesives, ATEX Certified Version, Optical Optimized White Case, Metal Backplate, User Memory Version

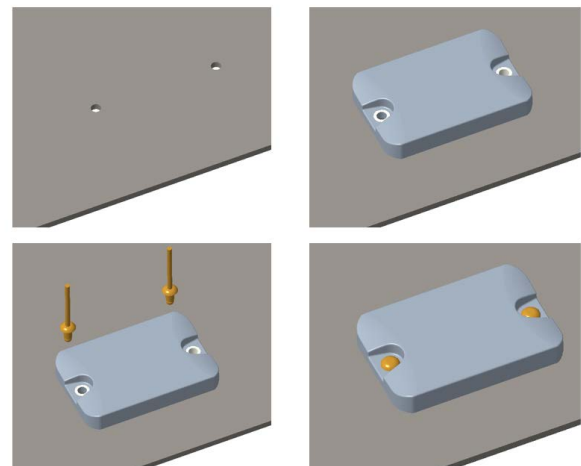


### Product Dimensions and Weight

Dimensions (in)	2.16 x 1.43 x 0.30
Tolerance	+/- 0.02
Dimensions (mm)	55 x 36.2 x 7.5
Tolerance	+/- 0.5
Weight	0.92 oz (26 g)
Packing information	86 pcs /one box



### Installation Instructions



Instructions for optimal performances:

1. Drill two holes on the subject metal surface. (ø 4 mm, pitch: 45.6mm)
2. Insert two ø3.2mm (recommended size) rivets on the tag.
3. Fix the tag on the metal surface with a rivet gun.

\* Can also be attached via adhesive / epoxy.

### About Xerafy

Xerafy designs and manufactures the world's toughest RFID tags to power Industrial IoT applications in Aerospace, Oil & Gas, Automotive, Healthcare and Manufacturing.

For Product inquiries: [sales@xerafy.com](mailto:sales@xerafy.com)  
Singapore | China | US | UK

GO TO WEBSITE >